



## Maximum Weight Capacity 220KG

### 1 Product description:

This changing table is intended for showering and changing children and adults weighing up to 220kg, the table must not be used for any other purpose.

### 2 Pre use checks:

Check for obstructions or items that may become trapped when the changing table is operated. Check the changing table will raise and lower properly using the handset.

### 3 Lowering the bed:

To fold down the bed to the usable position, simply hold the bed and lower as indicated by the arrow in Fig 2. To stow bed, lift and fold bed upwards until parallel with cover.

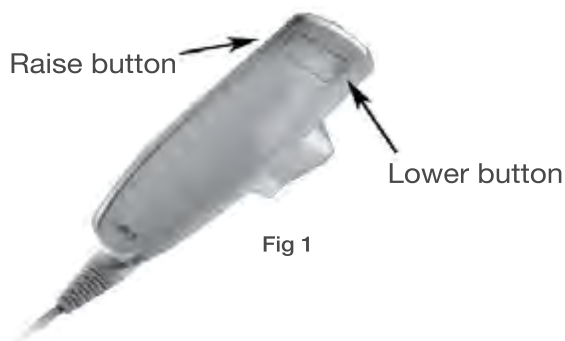


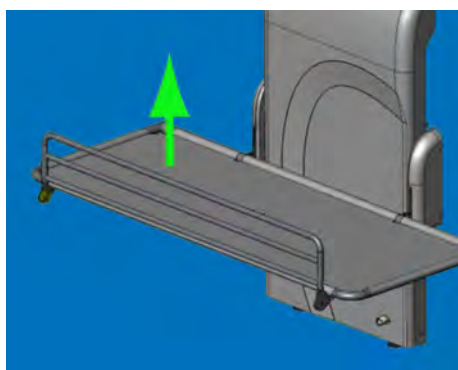
Fig 1



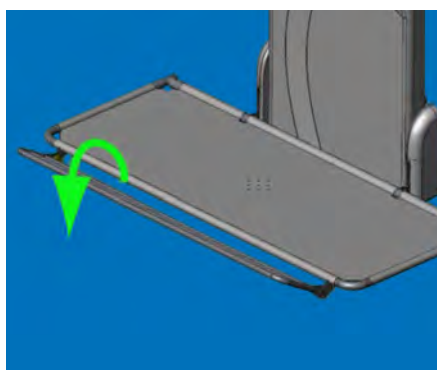
Fig 2

### 4 Instruction for use:

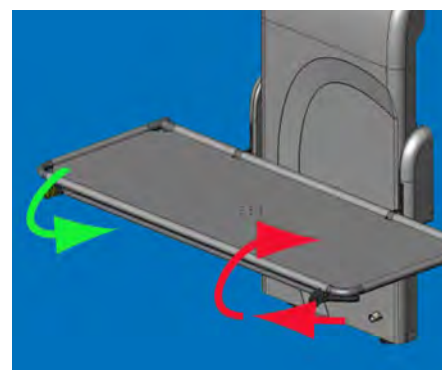
Operation of the change bed is via the two button hand control. Position the bed at a comfortable height. See Fig 1



Operating the guard (where fitted). Folding the guard. Lift the guard upwards. Place gentle pressure on the bed to make lifting the guard easier, all stages



Then rotate it towards you and then fold under the bed. Unless the guard is pushed past 90 degrees, the guard will hang loose and not lock. If locked, follow the next step.



It will then lock under the bed. To replace the guard lift it slightly towards you, it will then release, rotate upright and drop into position.

# Change Table Help Guide



**Changing Places  
Transforming Lives**

proudly supported by  **CHS Healthcare**

## The Change Table - what to do and how it works

### Operating instructions Nivano height adjustable changing table

#### Product description.

The Nivano CTe is powered by a 230 Volt Mains supply internally reduced to 24Vdc  
And is provided with a backup battery.

The changing table is intended for showering and changing children and adults, weighing up 135 KG, the changing table must not be used for any other purpose.

#### Carry out the following checks daily; before using the changing table.

Check the mains supply is connected and turned on..

Check there are no obstructions or items that may be trapped when the changing table is operated.

Check the changing table will raise and lower properly using the handset.

Check the function of the bed retaining catch.

Fig 1

#### Instructions for use.

Before use check that the changing table will lift and lower using the handset. (FIG 1)

#### Adjusting the height of your changing table

The changing table is operated with a two-button handset. Pressing one of the buttons will either raise or lower the changing table as required.

Position the table at a convenient height to transfer the client.

#### Using the platform

To release the changing platform push down the green (Fig 2) latch on the right hand side of the platform. Once the latch is released, rotate the platform forward into a horizontal position. To stow the platform simply rotate the bed upwards until the bed is parallel with the cover, the latch will engage and will stop the bed from falling forward.

#### Caution

The heavy use of oil based products may adversely affect the white stretcher material. Oils and other petrochemical products should be avoided and any residue removed immediately.

These products include : Baby oil and emollient creams,

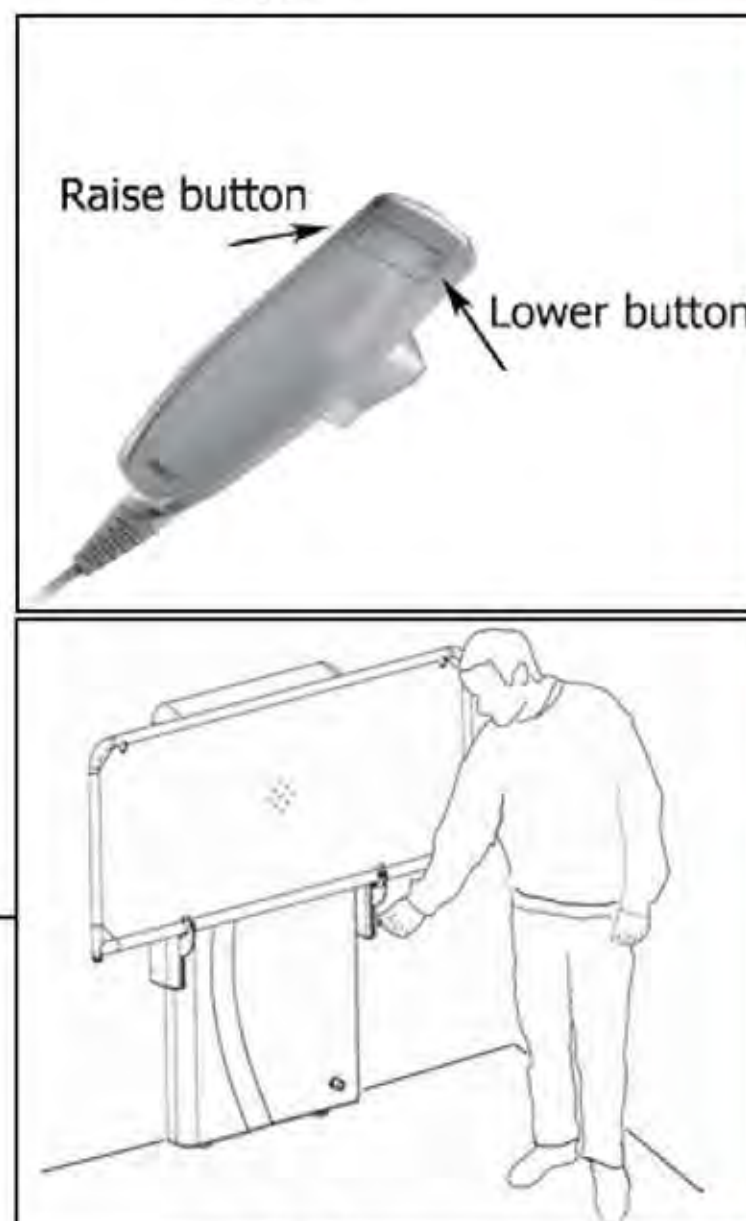
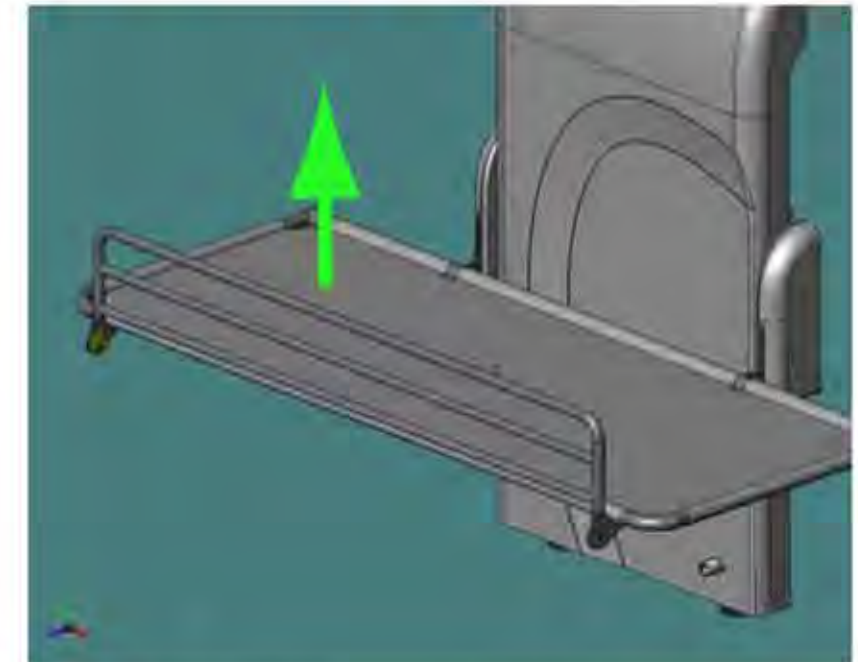
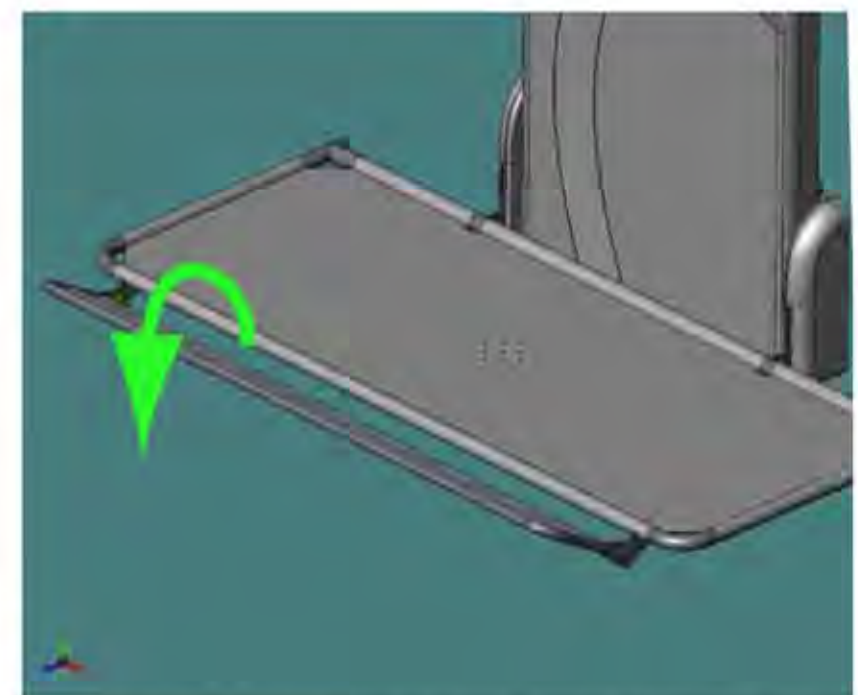


Fig 2

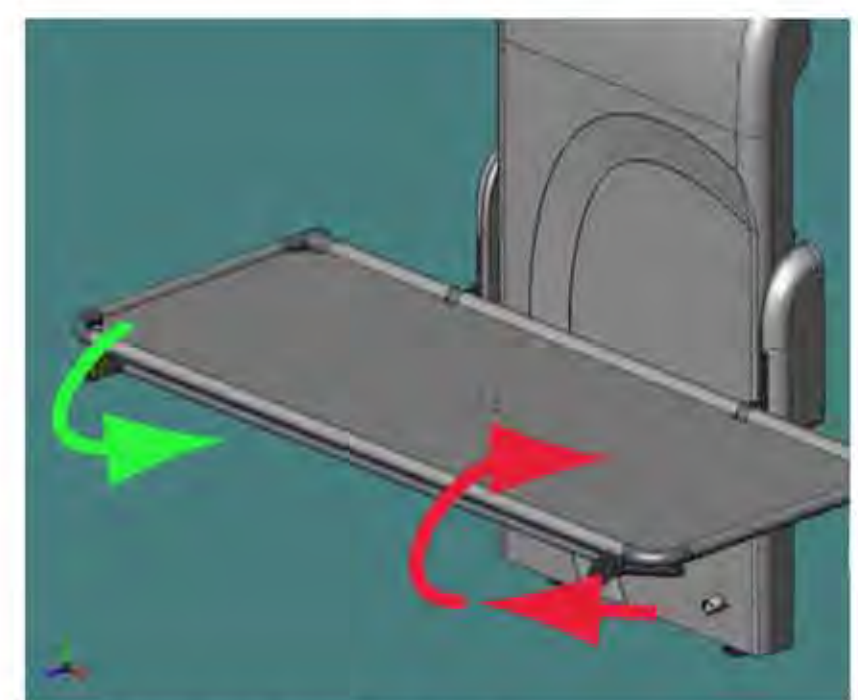


Folding the guard

Lift the guard upwards



Then rotate it towards you and then fold under the bed.



It will then lock under the bed.  
To replace the guard lift it slightly towards you, it will then release, rotate upright and drop into position

#### If the system fails to raise or lower.

Check the mains supply is connected and turned on..

#### Cleaning

The changing table may be cleaned using most mild cleaning agents.

Chemical agents and solvents must not be used, i.e. drain cleaners, acetone, oven cleaners or acids.

The changing table should be cleaned using a warm soapy solution and rinsed with a damp cloth.

Attention should always be paid to instruction labels for the cleaning agent.

Need assistance? Call CHS Healthcare

**1300 789 420**

[www.chshealthcare.com.au](http://www.chshealthcare.com.au)

[www.changingplaces.org.au](http://www.changingplaces.org.au)